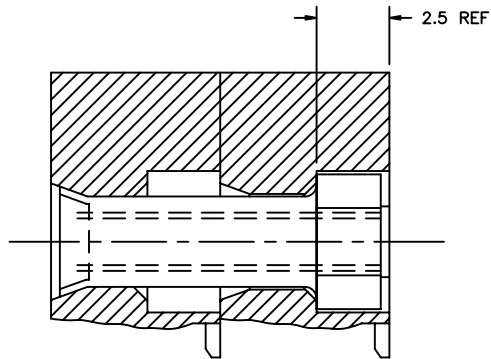
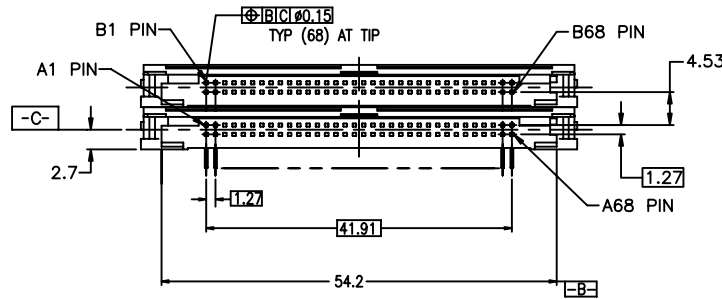
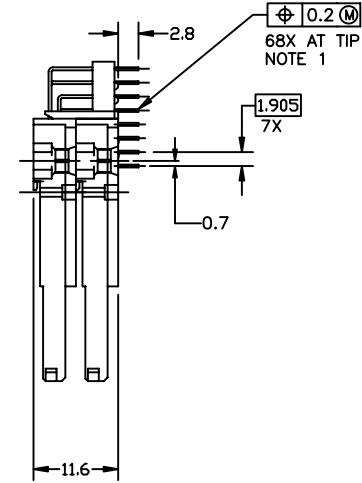
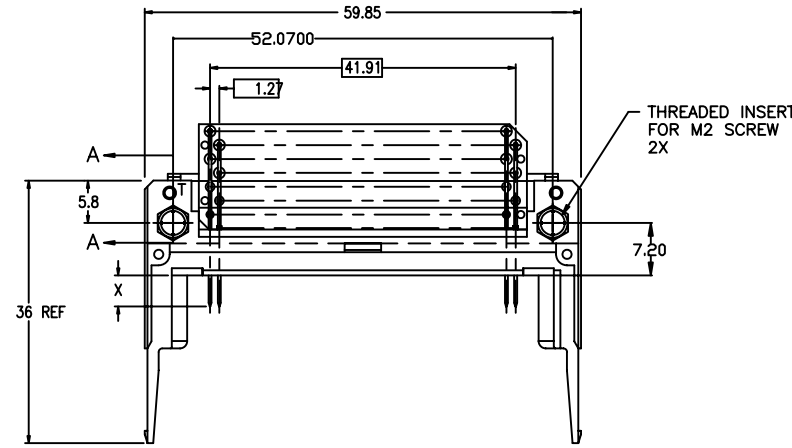


All rights strictly reserved. Reproduction or issue to third parties in any form whatever is not permitted without written authority from the proprietor. Property of FCI. Copyright FCI.

Tous droits strictement reserves. Reproduction ou communication a des tiers interdite sous quelque forme que ce soit sans autorisation écrite du propriétaire. Propriete de c FCI. Droits de reproduction FCI.

| PRODUCT NO | DIM X | | | MOUNTING STYLE | COLOR |
|-------------|----------|---------|---------------------|-----------------|-------|
| | 4.25±0.1 | 3.5±0.1 | 5.0±0.1 | | |
| 95705-000 | OTHERS | 36,67 | 1,17,34 35,51,68 | TOP W\O LOCATOR | BLACK |
| 95705-000LF | OTHERS | 36,67 | 1,17,34 35,51,68 | TOP W\O LOCATOR | BLACK |



SECTION A-A
SCALE 8/1

NOTES:

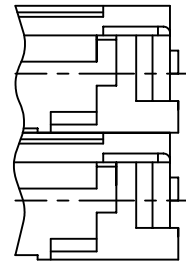
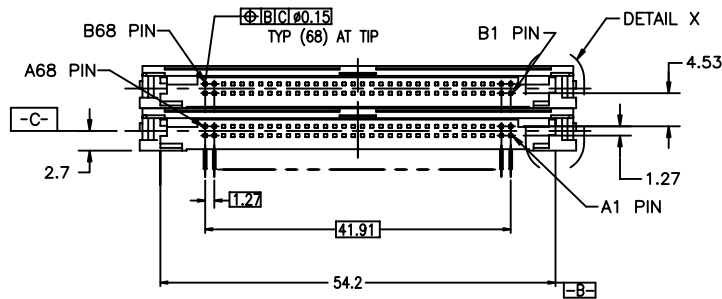
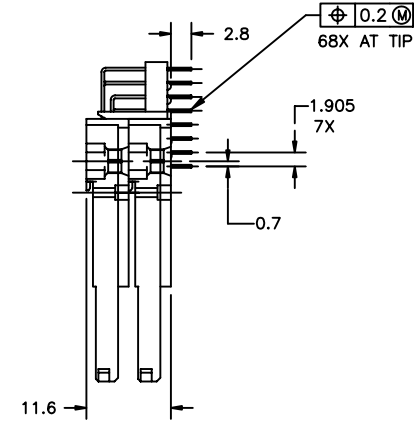
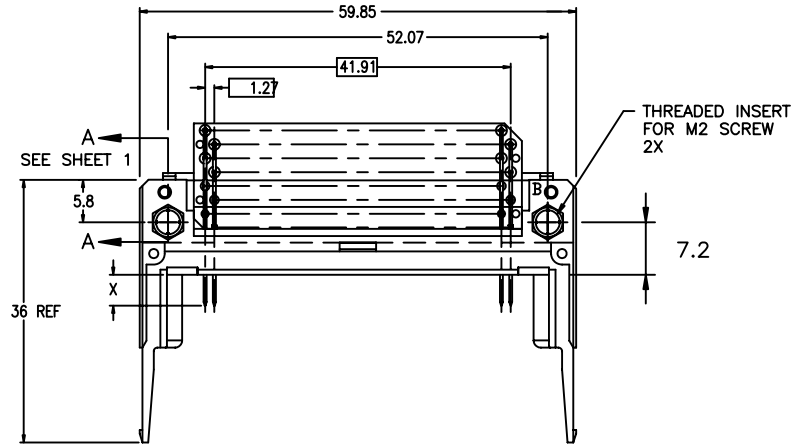
- TRUE POSITION IS A FREE GRID TO THE PIN PATTERN ITSELF.
- SEE TA-946 FOR PCB LAYOUT.
- MATERIAL:
PLASTIC: LCP UL94V-0
PIN: PHOSPHOR BRONZE
- FINISH (PIN):
UNDER PLATING: 0.5 μM MIN. Ni
CONTACT AREA: 0.1 μM MIN GOLD OVER 0.5 μM MIN. Pd-Ni
SOLDER AREA: 2.5 μM MIN. Sn-Pb
: 2.5 μM MIN. PURE Sn (FOR -***LF)
- IF LEAD FREE P/N, THE HOUSING WILL WITHSTAND EXPOSURE TO 260°C PEAK TEMPERATURE FOR 10 SECONDS IN A WAVE SOLDER APPLICATION WITH A 1.00MM MINIMUM THICK CIRCUIT BOARD.
- IF LEAD FREE P/N, THE PRODUCT MEETS EUROPEAN UNION DIRECTIVES AND OTHER COUNTRY REGULATIONS AS DESCRIBED IN GS-22-008
- LEAD FREE P/N PACKAGING MEETS GS-14-920 SPECIFICATION

| mat'l. code | | | | tolerances unless otherwise specified | | CUSTOMER COPY | Electronics | | |
|-------------|----------------|-----|----------|---------------------------------------|----------------|---------------|--|-----------|----|
| ltr | ecn no | dr | date | linear | angles | | projection | title | |
| A | V50549 | SSD | 7/17/95 | .X±.3 | 0° ±2' | | FCI www.fciconnect.com | | |
| B | T50281 | GAH | 10/20/95 | .XX±.13 | | | | | |
| C | V12164 | TFG | 8/17/01 | .XXX±.051 | | | 3.3 VOLT DOUBLE DECK HEADER product family MCS size dwg no A4 95705 | | |
| D | N05-0174 | WB | 06/16/05 | 0° ±2' | | | | | |
| | | | | dr | S.DUESTERHOEFT | 7/17/95 | product family MCS size dwg no A4 95705 sheet 1 of 4 | | |
| | | | | enr | D.BRANN | 7/17/95 | | | |
| | | | | chr | D.BRANN | 7/17/95 | | | |
| | | | | appd | D.BRANN | 7/17/95 | | | |
| sheet index | revision sheet | D 1 | D 2 | D 3 | D 4 | scale | 1:1 | cage code | 26 |

Tous droits strictement reserves. Reproduction ou communication a des tiers interdite sous quelque forme que ce soit sans autorisation écrite du propriétaire. Propriete de c FCI. Droits de reproduction FCI.

All rights strictly reserved. Reproduction or issue to third parties in any form whatever is not permitted without written authority from the proprietor. Property of FCI. Copyright FCI.

| PRODUCT NO | DIM X | | | MOUNTING STYLE | COLOR |
|-------------|----------|---------|---------------------|--------------------|-----------------|
| | 4.25±0.1 | 3.5±0.1 | 5.0±0.1 | | |
| 95705-500 | OTHERS | 36,67 | 1,17,34 35,51,68 | BOTTOM W\O LOCATOR | NATURAL (WHITE) |
| 95705-500LF | OTHERS | 36,67 | 35,51,68 | BOTTOM W\O LOCATOR | NATURAL (WHITE) |



DETAIL X
SCALE: 3/1

NOTES:

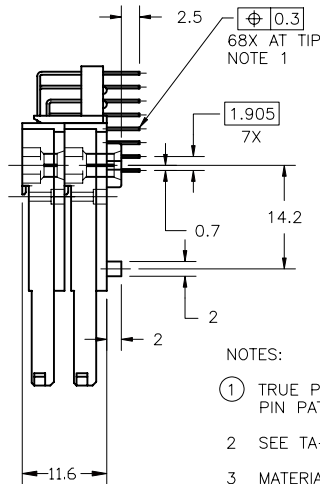
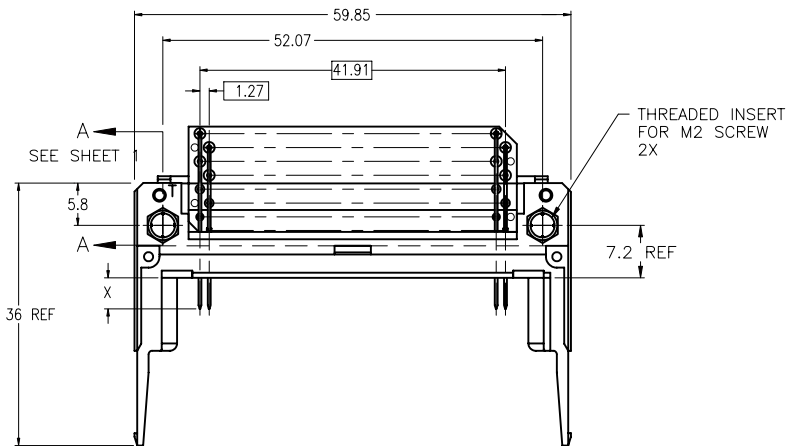
- TRUE POSITION IS A FREE GRID TO THE PIN PATTERN ITSELF.
- SEE TA-946 FOR PCB LAYOUT.
- MATERIAL:
PLASTIC: LCP UL94V-0
PIN: PHOSPHOR BRONZE
- FINISH (PIN):
UNDER PLATING: 0.5 µM MIN. Ni
CONTACT AREA: 0.1 µM MIN GOLD OVER 0.5 µM MIN. Pd-Ni
SOLDER AREA: 2.5 µM MIN. Sn-Pb
: 2.5 µM MIN. PURE Sn (FOR -***LF)
- IF LEAD FREE P/N.THE HOUSING WILL WITHSTAND EXPOSURE TO 260°C PEAK TEMPERATURE FOR 10 SECONDS IN A WAVE SOLDER APPLICATION WITH A 1.00MM MINIMUM THICK CIRCUIT BOARD.
- IF LEAD FREE P/N.THE PRODUCT MEETS EUROPEAN UNION DIRECTIVES AND OTHER COUNTRY REGULATIONS AS DESCRIBED IN GS-22-008
- LEAD FREE P/N PACKAGING MEETS GS-14-920 SPECIFICATION

| | | | | | | | | | |
|-------------|----------------|----|------|---------------------------------------|------------------------|---------------|----------------|-----------------------------|--------------------|
| mat'l. code | | | | tolerances unless otherwise specified | | CUSTOMER COPY | Electronics | | |
| ltr | ecn no | dr | date | linear | .X±.3 | | projection | FCI | www.fciconnect.com |
| D | | | | angles | .XX±.13 | | title | | |
| | | | | | .XXX±.051 | | MM | 3.3 VOLT DOUBLE DECK HEADER | |
| | | | | dr | 0' ±2' | scale | product family | code | |
| | | | | enr | S.DUESTERHOEFT 7/17/95 | | 1:1 | MCS | - |
| | | | | chr | D.BRANN 7/17/95 | | A4 | size dwg no | sheet |
| | | | | appd | D.BRANN 7/17/95 | | 95705 | 2 of | |
| sheet index | revision sheet | | | | | | cage code | | |

Tous droits strictement reserves. Reproduction ou communication a des tiers interdite sous quelque forme que ce soit sans autorisation écrite du propriétaire. Propriete de c FCI. Droits de reproduction FCI.

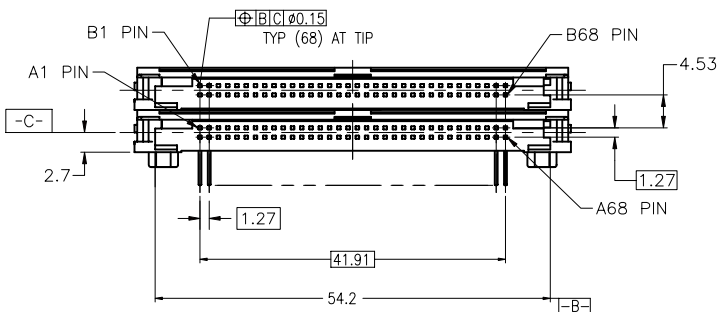
All rights strictly reserved. Reproduction or issue to third parties in any form whatever is not permitted without written authority from the proprietor. Property of FCI. Copyright FCI.

| PRODUCT NO. | DIM X | | | MOUNTING STYLE | COLOR |
|-------------|----------|---------|---------------------|-----------------|-------|
| | 4.25±0.1 | 3.5±0.1 | 5.0±0.1 | | |
| 95705-040 | OTHERS | 36,67 | 1,17,34 35,51,68 | TOP W\O LOCATOR | BLACK |
| 95705-040LF | OTHERS | 36,67 | 1,17,34 35,51,68 | TOP W\O LOCATOR | BLACK |



NOTES:

- TRUE POSITION IS A FREE GRID TO THE PIN PATTERN ITSELF.
- SEE TA-946 FOR PCB LAYOUT.
- MATERIAL:
PLASTIC: LCP UL94V-0
PIN: PHOSPHOR BRONZE
- FINISH (PIN):
UNDER PLATING: 0.5 μM MIN. Ni
CONTACT AREA: 0.1 μM MIN GOLD OVER 0.5 μM MIN. Pd-Ni
SOLDER AREA: 2.5 μM MIN. Sn-Pb
: 2.5 μM MIN. PURE Sn (FOR -***LF)
- IF LEAD FREE P/N.THE HOUSING WILL WITHSTAND EXPOSURE TO 260°C PEAK TEMPERATURE FOR 10 SECONDS IN A WAVE SOLDER APPLICATION WITH A 1.00MM MINIMUM THICK CIRCUIT BOARD.
- IF LEAD FREE P/N.THE PRODUCT MEETS EUROPEAN UNION DIRECTIVES AND OTHER COUNTRY REGULATIONS AS DESCRIBED IN GS-22-008
- LEAD FREE P/N PACKAGING MEETS GS-14-920 SPECIFICATION

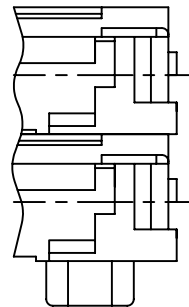
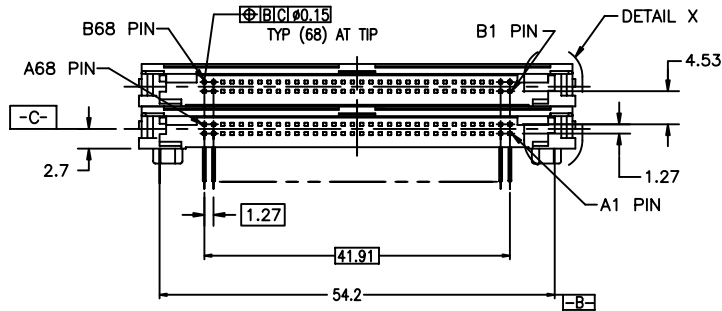
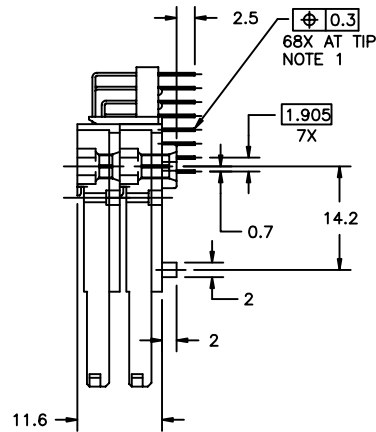
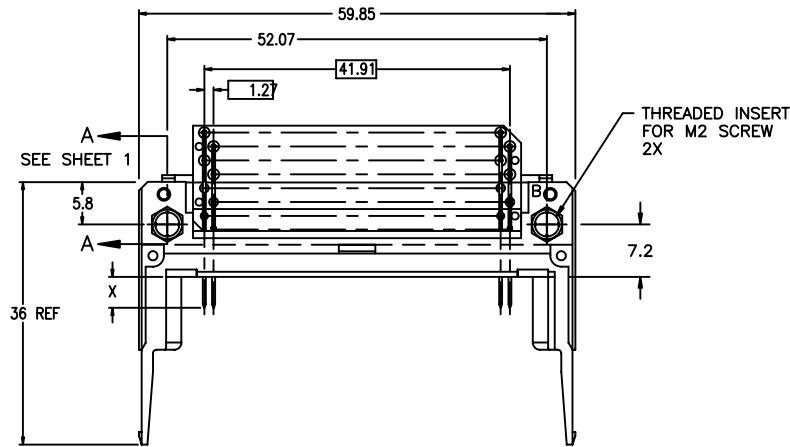


| | | | | | | | | |
|-------------|----------------|----|------|---------------------------------------|----------------|---------------|--|-------|
| mat'l. code | | | | tolerances unless otherwise specified | | CUSTOMER COPY | Electronics FCI www.fciconnect.com | |
| ltr | ecn no | dr | date | linear | .X±.3 | | projection | title |
| D | | | | | .XX±.13 | | 3.3 VOLT DOUBLE DECK HEADER | |
| | | | | angles | .XXX±.051 | | | MM |
| | | | | dr | S.DUESTERHOEFT | 7/17/95 | size | code |
| | | | | enr | D.BRANN | 7/17/95 | dwg no | - |
| | | | | chr | D.BRANN | 7/17/95 | scale | sheet |
| | | | | appd | D.BRANN | 7/17/95 | 1:1 | 3 of |
| sheet index | revision sheet | | | | | | | |

Tous droits strictement reserves. Reproduction ou communication a des tiers interdite sous quelque forme que ce soit sans autorisation écrite du propriétaire. Propriete de c FCI. Droits de reproduction FCI.

All rights strictly reserved. Reproduction or issue to third parties in any form whatever is not permitted without written authority from the proprietor. Property of FCI. Copyright FCI.

| PRODUCT NO | DIM X | | | MOUNTING STYLE | COLOR |
|-------------|----------|---------|---------------------|--------------------|-----------------|
| | 4.25±0.1 | 3.5±0.1 | 5.0±0.1 | | |
| 95705-540 | OTHERS | 36,67 | 1,17,34 35,51,68 | BOTTOM W\O LOCATOR | NATURAL (WHITE) |
| 95705-540LF | OTHERS | 36,67 | 1,17,34 35,51,68 | BOTTOM W\O LOCATOR | NATURAL (WHITE) |



DETAIL X
SCALE: 3/1

NOTES:

- TRUE POSITION IS A FREE GRID TO THE PIN PATTERN ITSELF.
- SEE TA-946 FOR PCB LAYOUT.
- MATERIAL:
PLASTIC: LCP UL94V-0
PIN: PHOSPHOR BRONZE
- FINISH (PIN):
UNDER PLATING: 0.5 µM MIN. Ni
CONTACT AREA: 0.1 µM MIN GOLD OVER 0.5 µM MIN. Pd-Ni
SOLDER AREA: 2.5 µM MIN. Sn-Pb
: 2.5 µM MIN. PURE Sn (FOR -***LF)
- IF LEAD FREE P/N.THE HOUSING WILL WITHSTAND EXPOSURE TO 260°C PEAK TEMPERATURE FOR 10 SECONDS IN A WAVE SOLDER APPLICATION WITH A 1.00MM MINIMUM THICK CIRCUIT BOARD.
- IF LEAD FREE P/N.THE PRODUCT MEETS EUROPEAN UNION DIRECTIVES AND OTHER COUNTRY REGULATIONS AS DESCRIBED IN GS-22-008
- LEAD FREE P/N PACKAGING MEETS GS-14-920 SPECIFICATION

| mat'l. code | | | | tolerances unless otherwise specified | | CUSTOMER COPY | Electronics | |
|-------------|----------------|----|------|---------------------------------------|--------|---------------|-----------------------------|-------|
| ltr | ecn no | dr | date | linear | angles | | projection | title |
| D | | | | .X±.3 | 0° ±2' | MM | 3.3 VOLT DOUBLE DECK HEADER | |
| | | | | .XX±.13 | | | product family MCS | |
| | | | | .XXX±.051 | | | code - | |
| | | | | dr S.DUESTERHOEFT 7/17/95 | | | size dwg no | |
| | | | | enr D.BRANN 7/17/95 | | | A4 95705 | |
| | | | | chr D.BRANN 7/17/95 | | | sheet 4 of | |
| | | | | appd D.BRANN 7/17/95 | | | | |
| sheet index | revision sheet | | | | | | | |

PDM: Rev:D

STATUS: Released
cage code 26
Printed: Sep 28, 2007